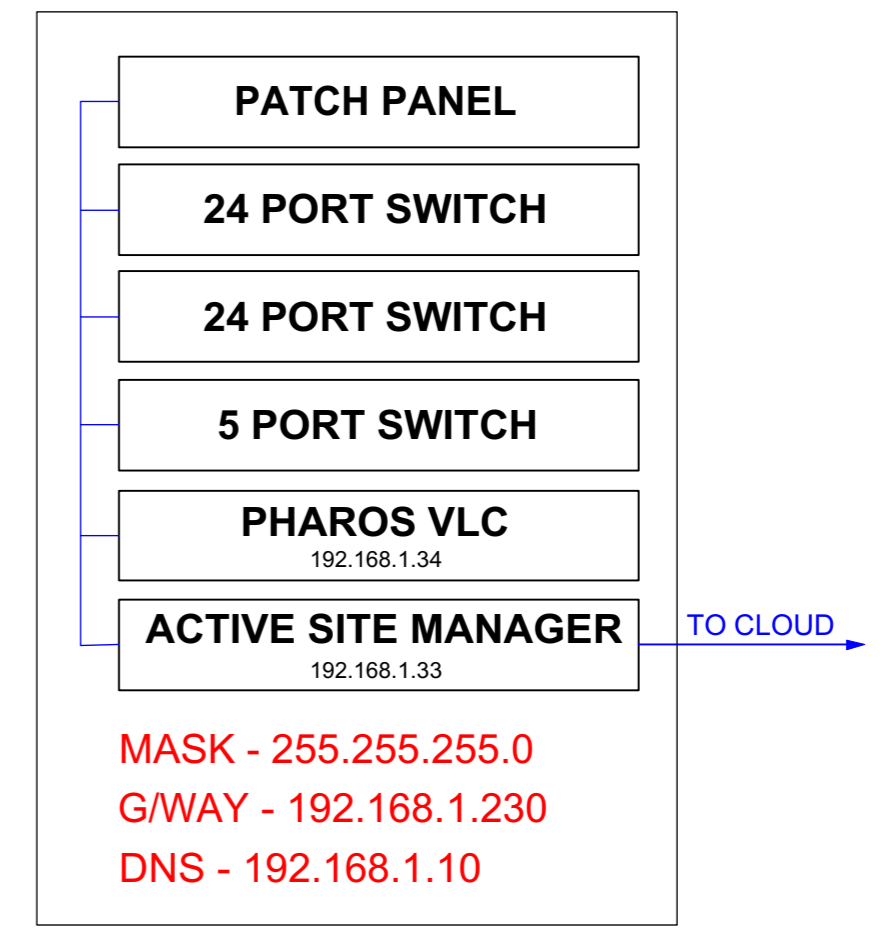
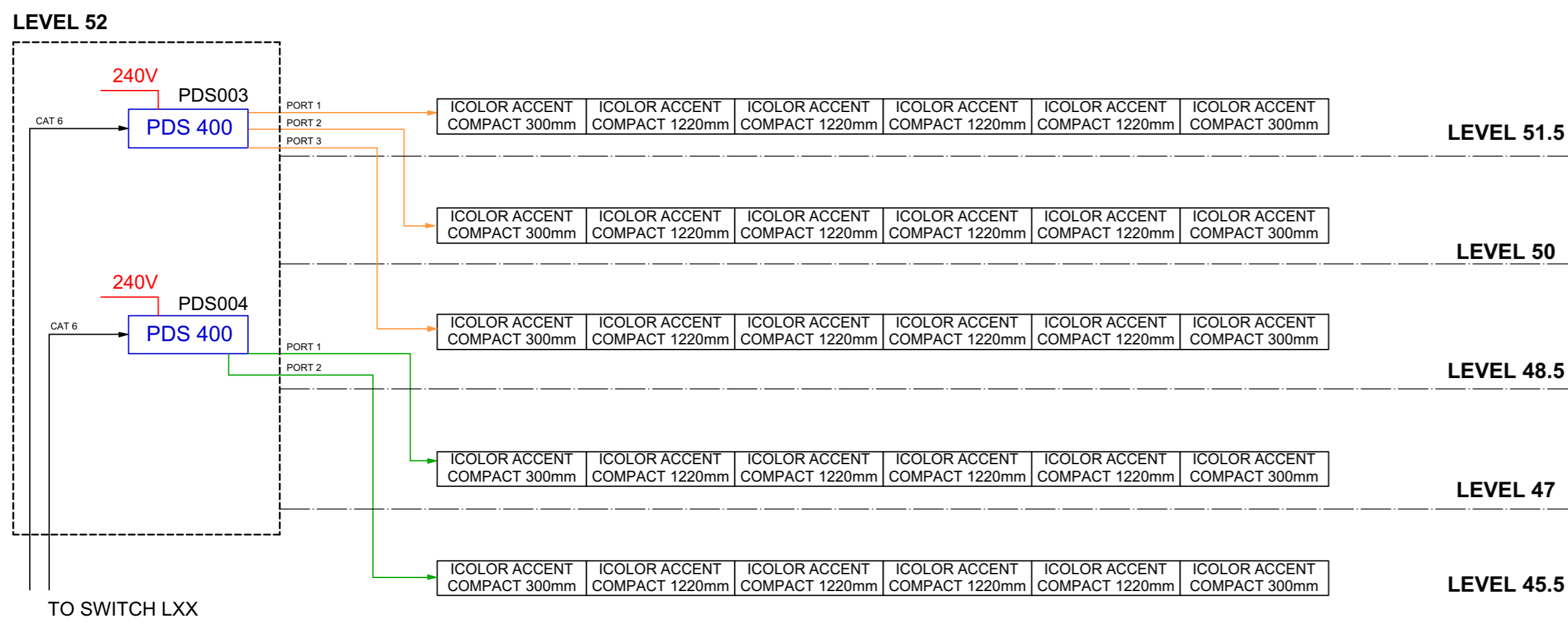


1 NORTH BUTTRESS- CONTROL SCHEMATIC  
NOT TO SCALE



5 CONTROL RACK SCHEMATIC  
NOT TO SCALE



2 EAST BUTTRESS - CONTROL SCHEMATIC  
NOT TO SCALE



3 SOUTH BUTTRESS - CONTROL SCHEMATIC  
NOT TO SCALE



4 WEST BUTTRESS - CONTROL SCHEMATIC  
NOT TO SCALE

**LEGEND**

- XL1 - GRAZE 1220
- XL1 - GRAZE 610
- XL2 - ACCENT 1220
- XL2 - ACCENT 610
- XL2 - ACCENT 305
- XL3 - VAYA TUBE 1220
- XL3 - VAYA TUBE 305
- XS1 - REACH COMPACT
- PDS 400 48V EO
- VAYA CONTROLLER
- DATA ENABLER PRO
- 15M LEADER CABLE TBC
- 30M LEADER CABLE TBC (15M + 15M FOR XL3)
- 45M LEADER CABLE TBC

**NOTES**  
1. FOR GENERAL NOTES AND LEGEND REFER TO SHEET SL00-01  
2. DO NOT SCALE FROM THESE DRAWINGS

REVISIONS			
NO.	DATE	BY	AMENDMENTS
D	10/9/18	NV	AS BUILT
C	20/7/18	NV	FIXTURE NUMBERS AMENDED
B	9/5/18	NV	VAYA CONTROLLERS ADDED
A	12/4/18	NV	CONTROL RELOCATED TO BOTTOM CHORD

**BLUEBOTTLE 3 PTY LTD**  
43 STAWELL STREET NORTH MELBOURNE  
PHONE 61 3 9329 0709  
EMAIL INFO@BB3.NET.AU  
© PROFESSIONAL IN CONFIDENCE BLUEBOTTLE 3 PTY LTD

**ELECTRICAL DISCLAIMER**  
ELECTRICAL CONTRACTOR TO ENSURE COMPLIANCE WITH ALL RELEVANT ELECTRICAL & BUILDING REGULATIONS.

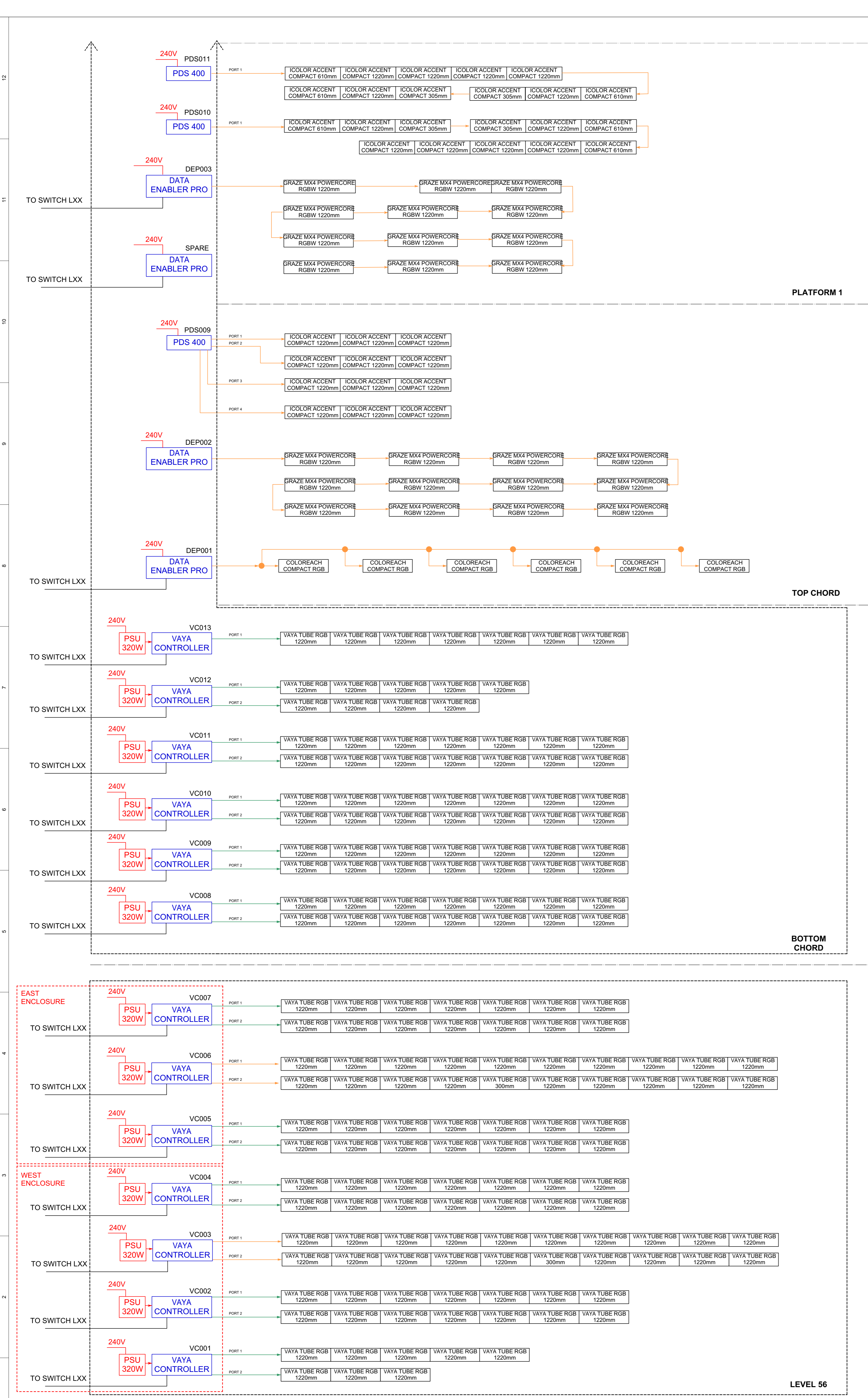
BLUEBOTTLE 3 PTY LTD ACCEPTS NO RESPONSIBILITY FOR ENGINEERING, INSTALLATION OR COMPLIANCE OF ELECTRICAL WORKS.

**PROJECT**  
NO. 101 NAME 101 COLLINS TOWER

CLIENT  
BROLEC ELECTRICAL

**TITLE**  
101 COLLINS TOWER - CONTROL SCHEMATIC BUTTRESSES

DRAWN BY	CHECKED BY	SCALE	DATE
NV	CC		NOT TO SCALE 10/9/18
DRAWING NUMBER - REVISION	ISSUE		
SL01-01 D	AS BUILT		



- ### LEGEND
- XL1 - GRAZE 1220
  - XL1 - GRAZE 610
  - XL2 - ACCENT 1220
  - XL2 - ACCENT 610
  - XL2 - ACCENT 305
  - XL3 - VAYA TUBE 1220
  - XL3 - VAYA TUBE 305
  - XS1 - REACH COMPACT
  - PDS 400 48V EO
  - VAYA CONTROLLER
  - DATA ENABLER PRO
- 15M LEADER CABLE TBC
  - 30M LEADER CABLE TBC (15M + 15M FOR XL3)
  - 45M LEADER CABLE TBC

**NOTES**  
 1. FOR GENERAL NOTES AND LEGEND REFER TO SHEET SL00-01  
 2. DO NOT SCALE FROM THESE DRAWINGS

**REVISIONS**

NO.	DATE	BY	AMENDMENTS
D	10/9/18	NV	AS BUILT
C	20/7/18	NV	FIXTURE NUMBERS AMENDED
B	9/5/18	NV	VAYA CONTROLLERS ADDED
A	12/4/18	NV	CONTROL RELOCATED TO BOTTOM CHORD

**BLUEBOTTLE 3 PTY LTD**  
 43 STAWELL STREET NORTH MELBOURNE  
 PHONE 61 3 9329 0709  
 EMAIL INFO@BB3.NET.AU  
 © PROFESSIONAL IN CONFIDENCE BLUEBOTTLE 3 PTY LTD

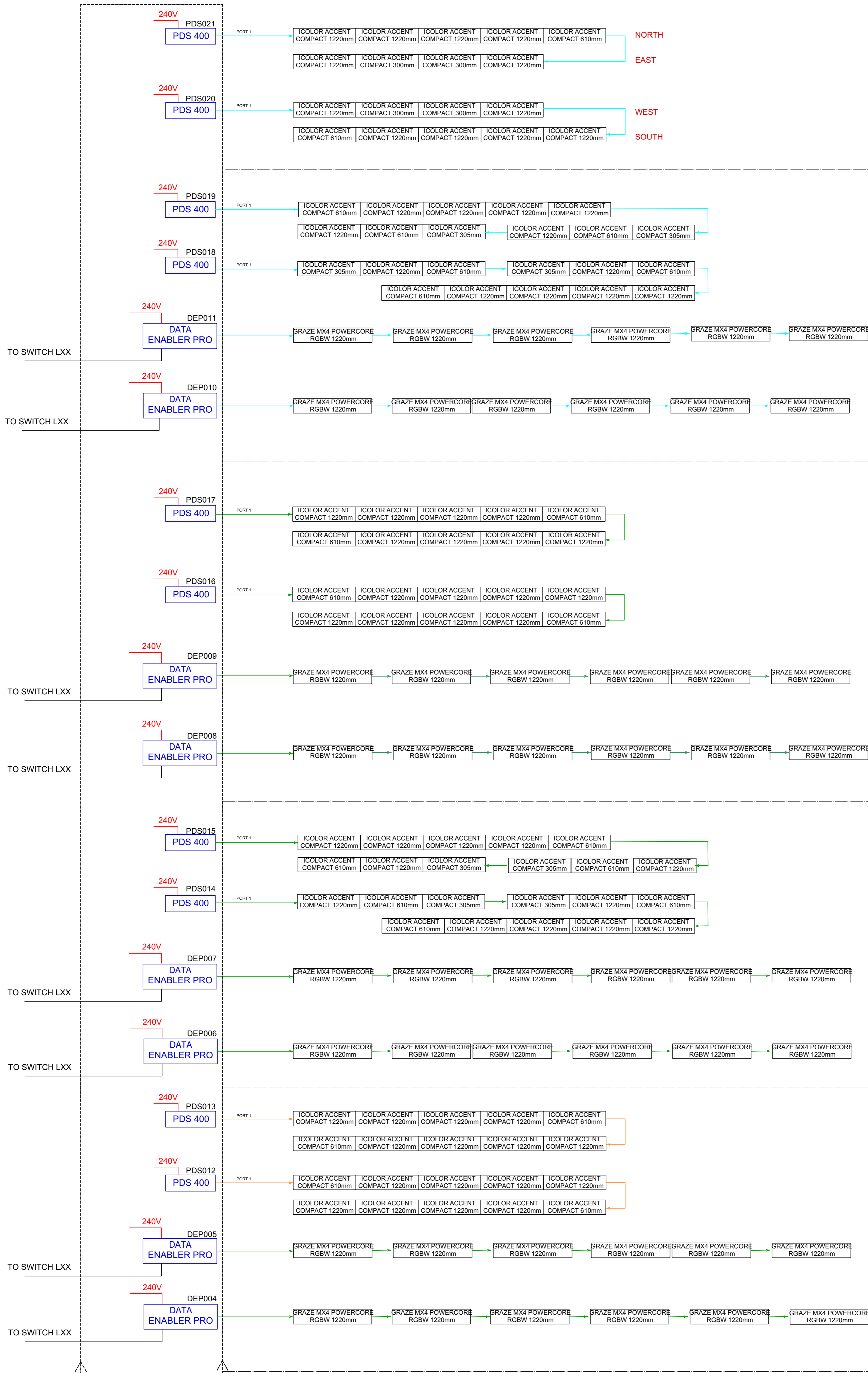
**ELECTRICAL DISCLAIMER**  
 ELECTRICAL CONTRACTOR TO ENSURE COMPLIANCE WITH ALL RELEVANT ELECTRICAL & BUILDING REGULATIONS.  
 BLUEBOTTLE 3 PTY LTD ACCEPTS NO RESPONSIBILITY FOR ENGINEERING, INSTALLATION OR COMPLIANCE OF ELECTRICAL WORKS.

**PROJECT**  
 NO. 101 NAME 101 COLLINS TOWER

**TITLE**  
 101 COLLINS TOWER - CONTROL SCHEMATIC L56 TO PLATFORM 1  
 DRAWN BY NV CHECKED BY CC SCALE DATE NOT TO SCALE 10/9/18  
 DRAWING NUMBER - REVISION ISSUE  
 SL01-02 D AS BUILT

1 L56 TO PLATFORM 1 - CONTROL SCHEMATIC  
 NOT TO SCALE

POWER SUPPLIES & CONTROLLERS LOCATED ON BOTTOM CHORD



PLATFORM 6

PLATFORM 5

PLATFORM 4

PLATFORM 3

PLATFORM 2

LEGEND

- XL1 - GRAZE 1220
- XL1 - GRAZE 610
- XL2 - ACCENT 1220
- XL2 - ACCENT 610
- XL2 - ACCENT 305
- XL3 - VAYA TUBE 1220
- XL3 - VAYA TUBE 305
- XS1 - REACH COMPACT
- PDS 400 48V EO
- VAYA CONTROLLER
- DATA ENABLER PRO
- 15M LEADER CABLE TBC
- 30M LEADER CABLE TBC (15M + 15M FOR XL3)
- 45M LEADER CABLE TBC

- NOTES
- FOR GENERAL NOTES AND LEGEND REFER TO SHEET SL00-01
  - DO NOT SCALE FROM THESE DRAWINGS

REVISIONS

NO.	DATE	BY	AMENDMENTS
D	10/9/18	NV	AS BUILT
C	20/7/18	NV	FIXTURE NUMBERS AMENDED
B	9/5/18	NV	VAYA CONTROLLERS ADDED
A	12/4/18	NV	CONTROL RELOCATED TO BOTTOM CHORD

**BLUEBOTTLE 3 PTY LTD**  
 43 STAWELL STREET NORTH MELBOURNE  
 PHONE 61 3 9329 0709  
 EMAIL INFO@BB3.NET.AU  
 © PROFESSIONAL IN CONFIDENCE BLUEBOTTLE 3 PTY LTD

**ELECTRICAL DISCLAIMER**  
 ELECTRICAL CONTRACTOR TO ENSURE COMPLIANCE WITH ALL RELEVANT ELECTRICAL & BUILDING REGULATIONS.  
 BLUEBOTTLE 3 PTY LTD ACCEPTS NO RESPONSIBILITY FOR ENGINEERING, INSTALLATION OR COMPLIANCE OF ELECTRICAL WORKS.

PROJECT NO.	NAME
101	101 COLLINS TOWER

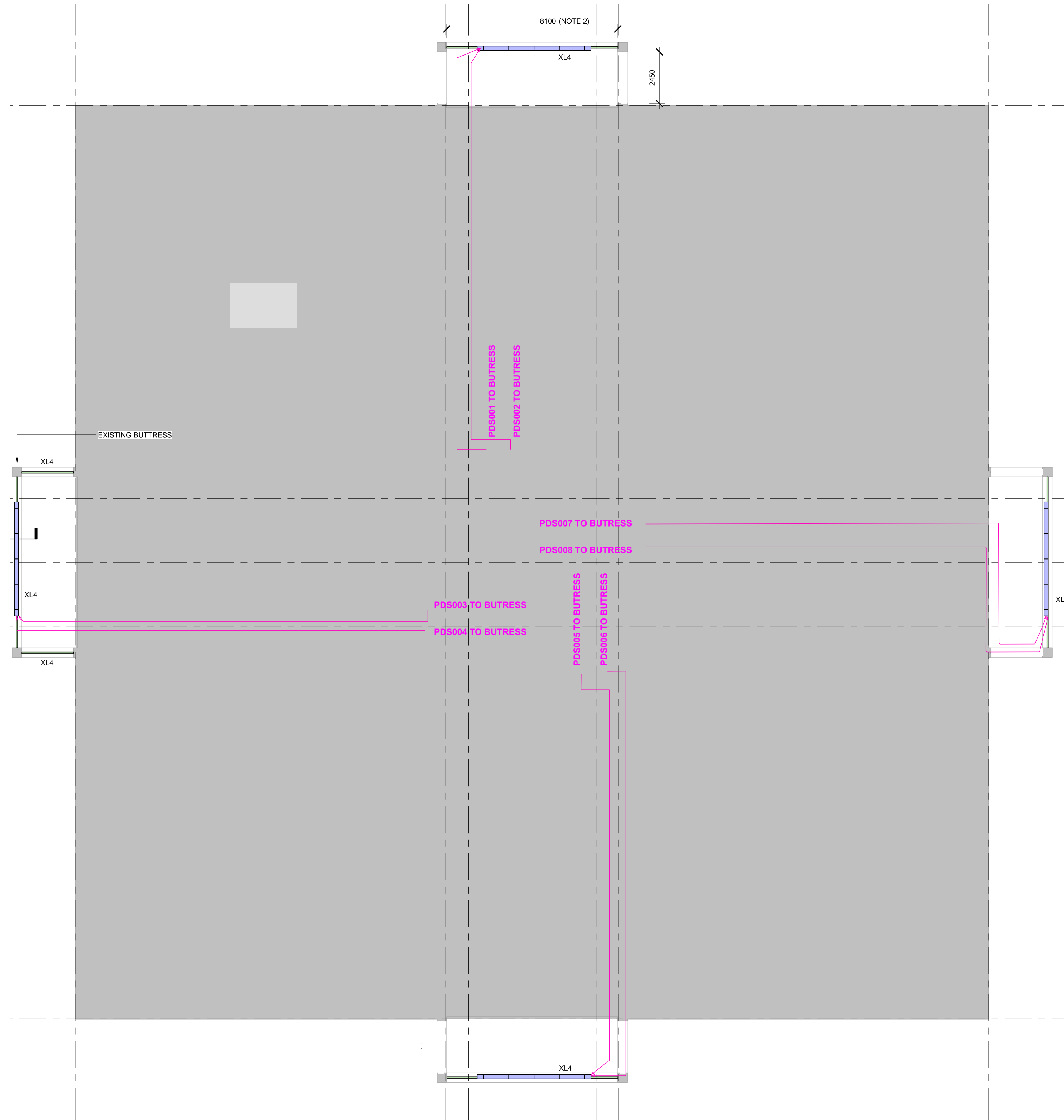
CLIENT  
 BROLEC ELECTRICAL

**TITLE**  
 101 COLLINS TOWER -  
 PLATFORM 2 TO PLATFORM 6

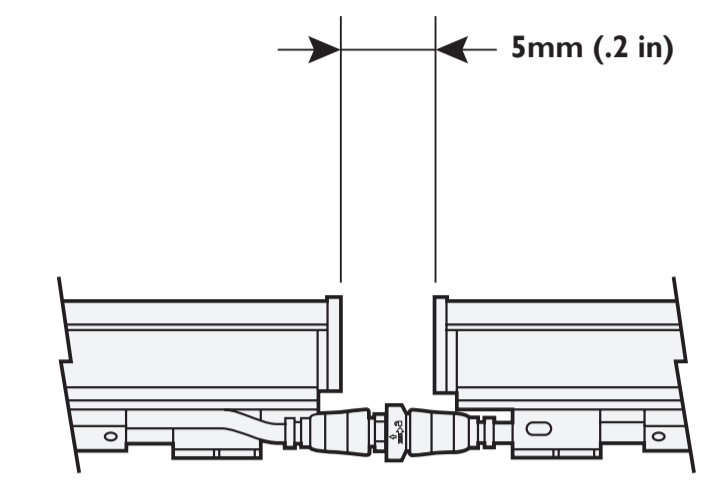
DRAWN BY	CHECKED BY	SCALE	DATE
NV	CC	AS BUILT	10/9/18

DRAWING NUMBER - REVISION  
 SL01-03 D

1 PLATFORM 2 TO PLATFORM 6 - CONTROL SCHEMATIC  
 NOT TO SCALE



1 PLAN - LEVEL 52  
NOT TO SCALE

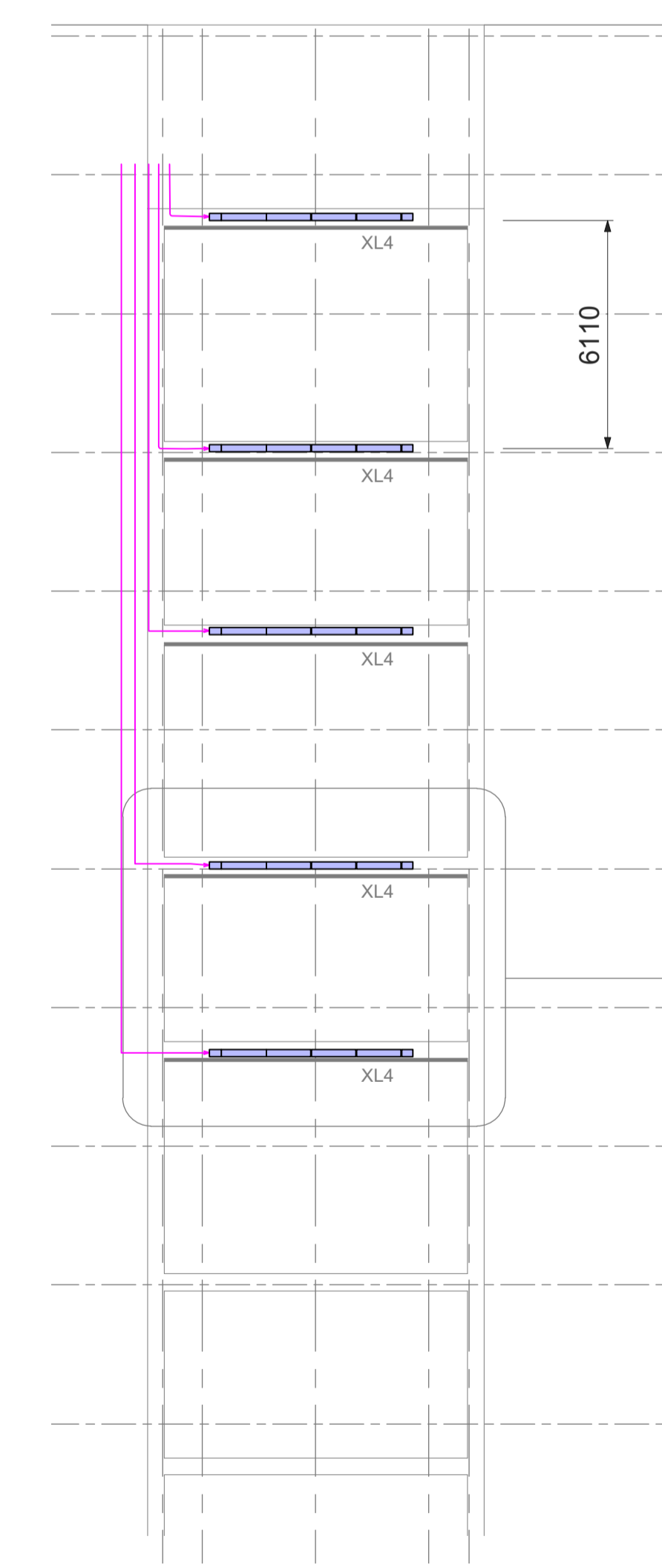


2 DETAIL - XL2 MIN. FIXTURE DISTANCES  
NOT TO SCALE

- 1. FIXTURES MUST BE INSTALLED IN CORRECT ORIENTATION TO CONNECT MALE / FEMALE PLUGS AND SOCKETS
- 2. DISTANCE FROM CONTROL TO FIRST FIXTURE MUST NOT EXCEED 30M

LEGEND

- XL1 - GRAZE 1220
- XL1 - GRAZE 610
- XL2 - ACCENT 1220
- XL2 - ACCENT 610
- XL2 - ACCENT 305
- XL3 - VAYA TUBE 1220
- XL3 - VAYA TUBE 305
- XS1 - REACH COMPACT
- PDS 400 48V EO
- VAYA CONTROLLER
- DATA ENABLER PRO
- 15M LEADER CABLE TBC
- 30M LEADER CABLE TBC (15M + 15M FOR XL3)
- 45M LEADER CABLE TBC



3 ELEVATION - BUTRESS FOR TYPICAL  
NOT TO SCALE

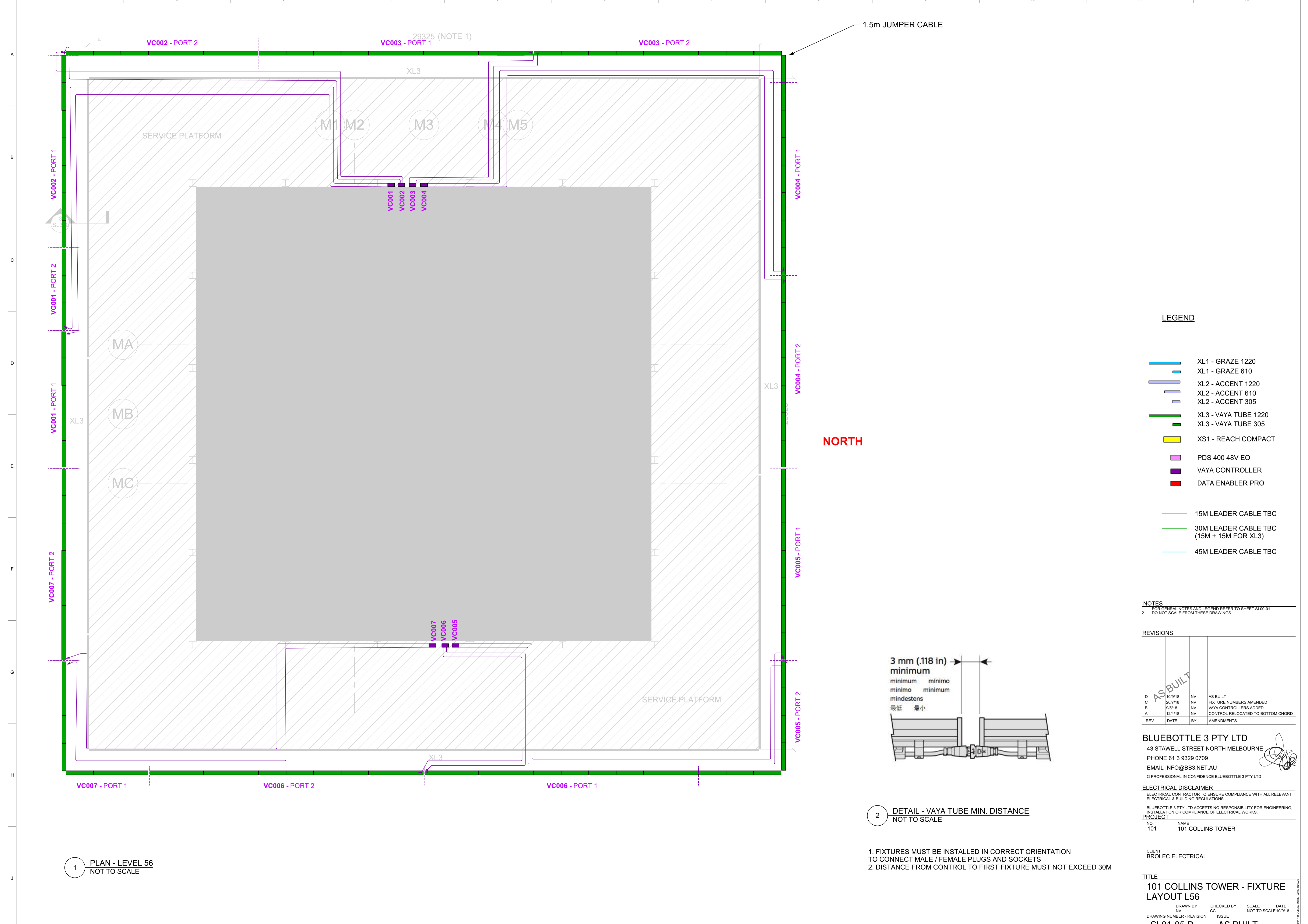
NOTES  
1. FOR GENERAL NOTES AND LEGEND REFER TO SHEET SL00-01  
2. DO NOT SCALE FROM THESE DRAWINGS

REV	DATE	BY	AMENDMENTS
D	10/9/18	NV	AS BUILT
C	20/7/18	NV	FIXTURE NUMBERS AMENDED
B	9/5/18	NV	VAYA CONTROLLERS ADDED
A	12/4/18	NV	CONTROL RELOCATED TO BOTTOM CHORD

**BLUEBOTTLE 3 PTY LTD**  
43 STAWELL STREET NORTH MELBOURNE  
PHONE 61 3 9329 0709  
EMAIL INFO@BB3.NET.AU  
© PROFESSIONAL IN CONFIDENCE BLUEBOTTLE 3 PTY LTD

**ELECTRICAL DISCLAIMER**  
ELECTRICAL CONTRACTOR TO ENSURE COMPLIANCE WITH ALL RELEVANT ELECTRICAL & BUILDING REGULATIONS.  
BLUEBOTTLE 3 PTY LTD ACCEPTS NO RESPONSIBILITY FOR ENGINEERING, INSTALLATION OR COMPLIANCE OF ELECTRICAL WORKS.

**PROJECT**  
NO. 101 NAME 101 COLLINS TOWER  
CLIENT BROLEC ELECTRICAL  
**TITLE**  
101 COLLINS TOWER - FIXTURE LAYOUT BUTRESSES  
DRAWN BY NV CHECKED BY CC SCALE DATE NOT TO SCALE 10/9/18  
DRAWING NUMBER - REVISION ISSUE  
SL01-04 D AS BUILT



1 PLAN - LEVEL 56  
NOT TO SCALE

1.5m JUMPER CABLE

LEGEND

- XL1 - GRAZE 1220
- XL1 - GRAZE 610
- XL2 - ACCENT 1220
- XL2 - ACCENT 610
- XL2 - ACCENT 305
- XL3 - VAYA TUBE 1220
- XL3 - VAYA TUBE 305
- XS1 - REACH COMPACT
- PDS 400 48V EO
- VAYA CONTROLLER
- DATA ENABLER PRO
- 15M LEADER CABLE TBC
- 30M LEADER CABLE TBC (15M + 15M FOR XL3)
- 45M LEADER CABLE TBC

NOTES  
 1. FOR GENERAL NOTES AND LEGEND REFER TO SHEET SL00-01  
 2. DO NOT SCALE FROM THESE DRAWINGS

REVISIONS

REV	DATE	BY	AMENDMENTS
D	10/9/18	NV	AS BUILT
C	20/7/18	NV	FIXTURE NUMBERS AMENDED
B	9/5/18	NV	VAYA CONTROLLERS ADDED
A	12/4/18	NV	CONTROL RELOCATED TO BOTTOM CHORD

**BLUEBOTTLE 3 PTY LTD**  
 43 STAWELL STREET NORTH MELBOURNE  
 PHONE 61 3 9329 0709  
 EMAIL INFO@BB3.NET.AU  
 © PROFESSIONAL IN CONFIDENCE BLUEBOTTLE 3 PTY LTD

**ELECTRICAL DISCLAIMER**  
 ELECTRICAL CONTRACTOR TO ENSURE COMPLIANCE WITH ALL RELEVANT ELECTRICAL & BUILDING REGULATIONS.  
 BLUEBOTTLE 3 PTY LTD ACCEPTS NO RESPONSIBILITY FOR ENGINEERING, INSTALLATION OR COMPLIANCE OF ELECTRICAL WORKS.

PROJECT

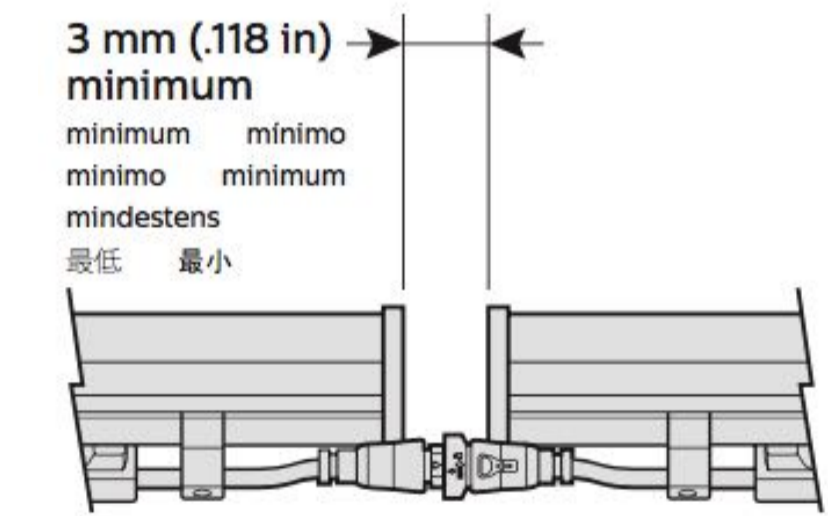
NO	NAME
101	101 COLLINS TOWER

CLIENT  
BROLEC ELECTRICAL

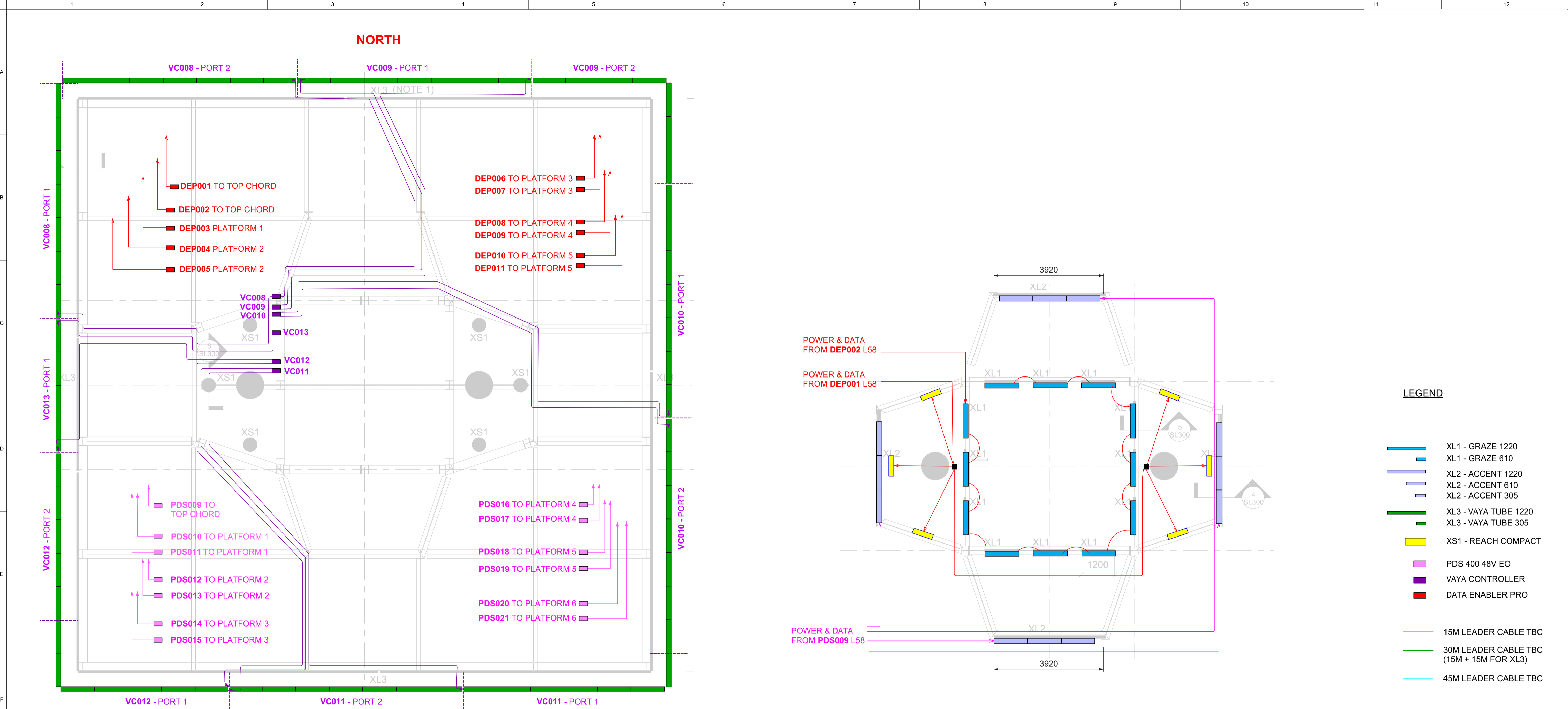
TITLE  
**101 COLLINS TOWER - FIXTURE LAYOUT L56**

DRAWING NUMBER - REVISION	ISSUE	DRAWN BY	CHECKED BY	SCALE	DATE
SL01-05 D	AS BUILT			NOT TO SCALE	10/9/18

2 DETAIL - VAYA TUBE MIN. DISTANCE  
NOT TO SCALE



1. FIXTURES MUST BE INSTALLED IN CORRECT ORIENTATION TO CONNECT MALE / FEMALE PLUGS AND SOCKETS
2. DISTANCE FROM CONTROL TO FIRST FIXTURE MUST NOT EXCEED 30M



1 PLAN - MAST TRUSS BOTTOM CHORD L58  
NOT TO SCALE

2 PLAN - MAST TRUSS TOP CHORD  
NOT TO SCALE

- LEGEND**
- XL1 - GRAZE 1220
  - XL1 - GRAZE 610
  - XL2 - ACCENT 1220
  - XL2 - ACCENT 610
  - XL2 - ACCENT 305
  - XL3 - VAYA TUBE 1220
  - XL3 - VAYA TUBE 305
  - XS1 - REACH COMPACT
  - PDS 400 48V EO
  - VAYA CONTROLLER
  - DATA ENABLER PRO
- 15M LEADER CABLE TBC
- 30M LEADER CABLE TBC (15M + 15M FOR XL3)
- 45M LEADER CABLE TBC

**NOTES**  
 1. FOR GENERAL NOTES AND LEGEND REFER TO SHEET SL00-01  
 2. DO NOT SCALE FROM THESE DRAWINGS

**REVISIONS**

REV	DATE	BY	AMENDMENTS
D	10/9/18	NV	AS BUILT
C	20/7/18	NV	FIXTURE NUMBERS AMENDED
B	9/5/18	NV	VAYA CONTROLLERS ADDED
A	12/4/18	NV	CONTROL RELOCATED TO BOTTOM CHORD

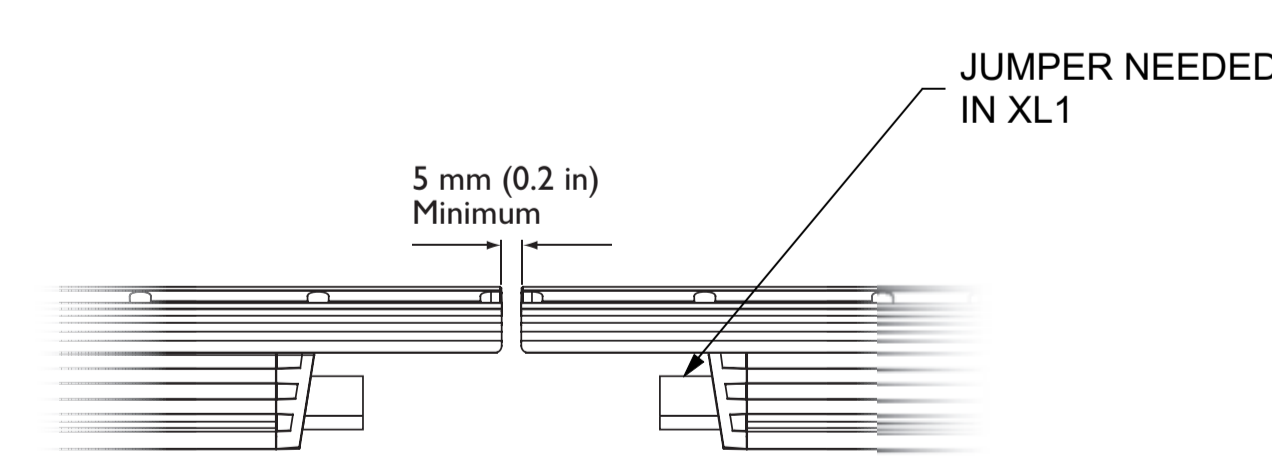
**BLUEBOTTLE 3 PTY LTD**  
 43 STAWELL STREET NORTH MELBOURNE  
 PHONE 61 3 9329 0709  
 EMAIL INFO@BB3.NET.AU  
 © PROFESSIONAL IN CONFIDENCE BLUEBOTTLE 3 PTY LTD

**ELECTRICAL DISCLAIMER**  
 ELECTRICAL CONTRACTOR TO ENSURE COMPLIANCE WITH ALL RELEVANT ELECTRICAL & BUILDING REGULATIONS.  
 BLUEBOTTLE 3 PTY LTD ACCEPTS NO RESPONSIBILITY FOR ENGINEERING, INSTALLATION OR COMPLIANCE OF ELECTRICAL WORKS.

**PROJECT**  
 NO: 101 NAME: 101 COLLINS TOWER  
 CLIENT: BROLEC ELECTRICAL

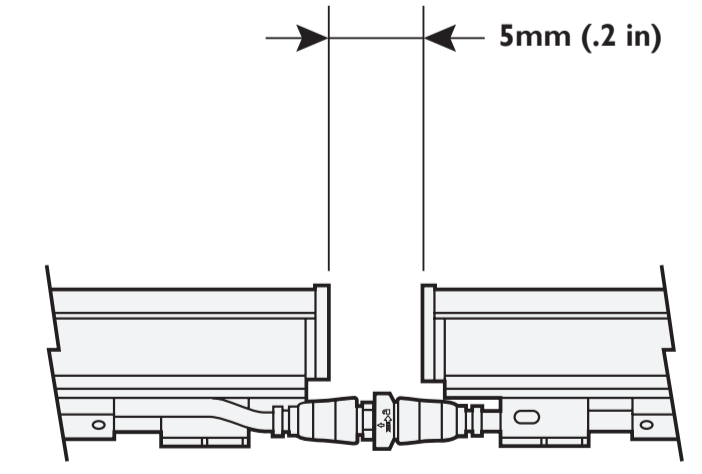
**TITLE**  
 101 COLLINS TOWER - LAYOUT  
 L58-MAST TRUSS CHORD TOP

DRAWN BY: NV, CHECKED BY: CC, SCALE: NOT TO SCALE, DATE: 10/9/18  
 DRAWING NUMBER - REVISION: SL01-06 D, ISSUE: AS BUILT



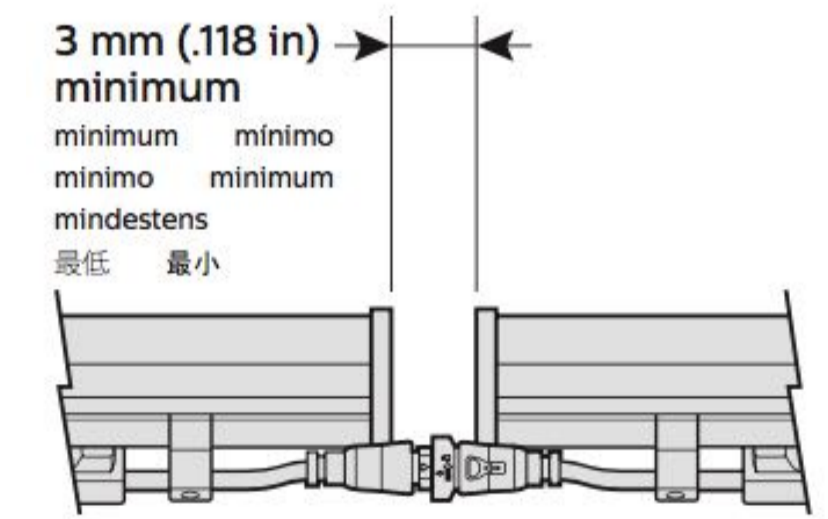
3 DETAIL - XL1 MIN. FIXTURE DISTANCES  
NOT TO SCALE

1. FIXTURES MUST BE INSTALLED IN CORRECT ORIENTATION TO CONNECT MALE / FEMALE PLUGS AND SOCKETS
2. DISTANCE FROM CONTROL TO FIRST FIXTURE MUST NOT EXCEED 30M



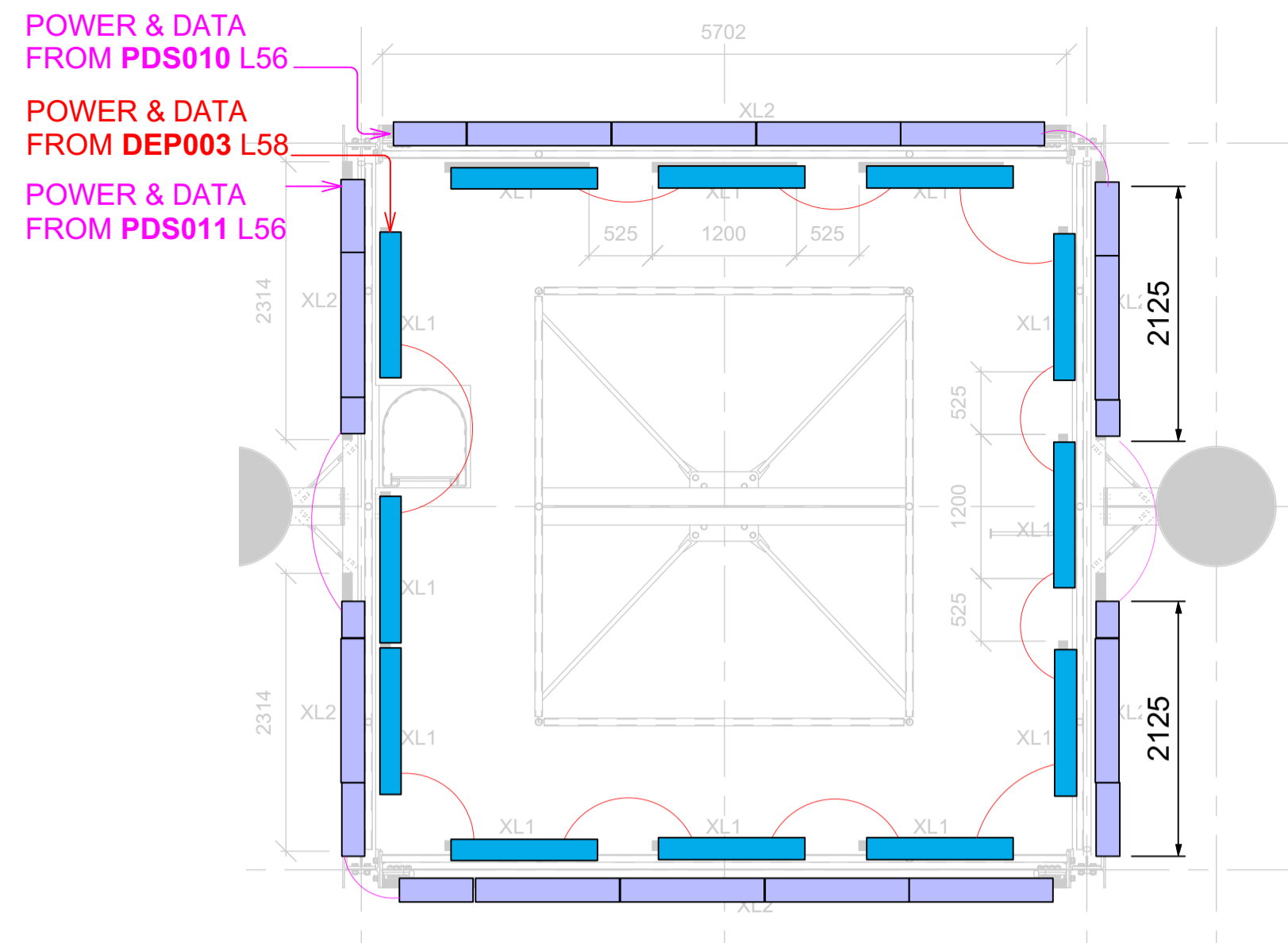
4 DETAIL - XL2 MIN. FIXTURE DISTANCES  
NOT TO SCALE

1. FIXTURES MUST BE INSTALLED IN CORRECT ORIENTATION TO CONNECT MALE / FEMALE PLUGS AND SOCKETS
2. DISTANCE FROM CONTROL TO FIRST FIXTURE MUST NOT EXCEED 30M

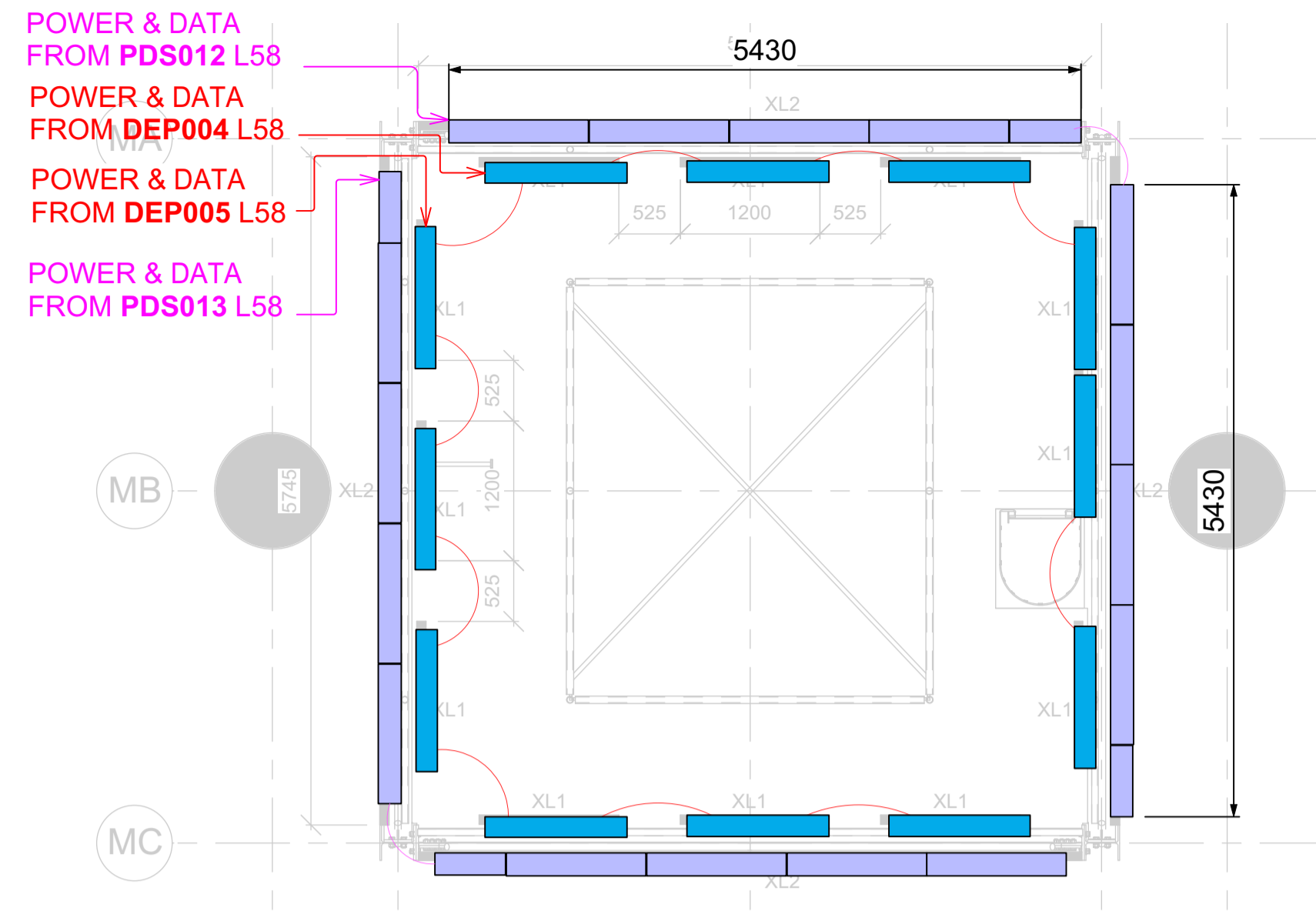


5 DETAIL - XL3 MIN. FIXTURE DISTANCES  
NOT TO SCALE

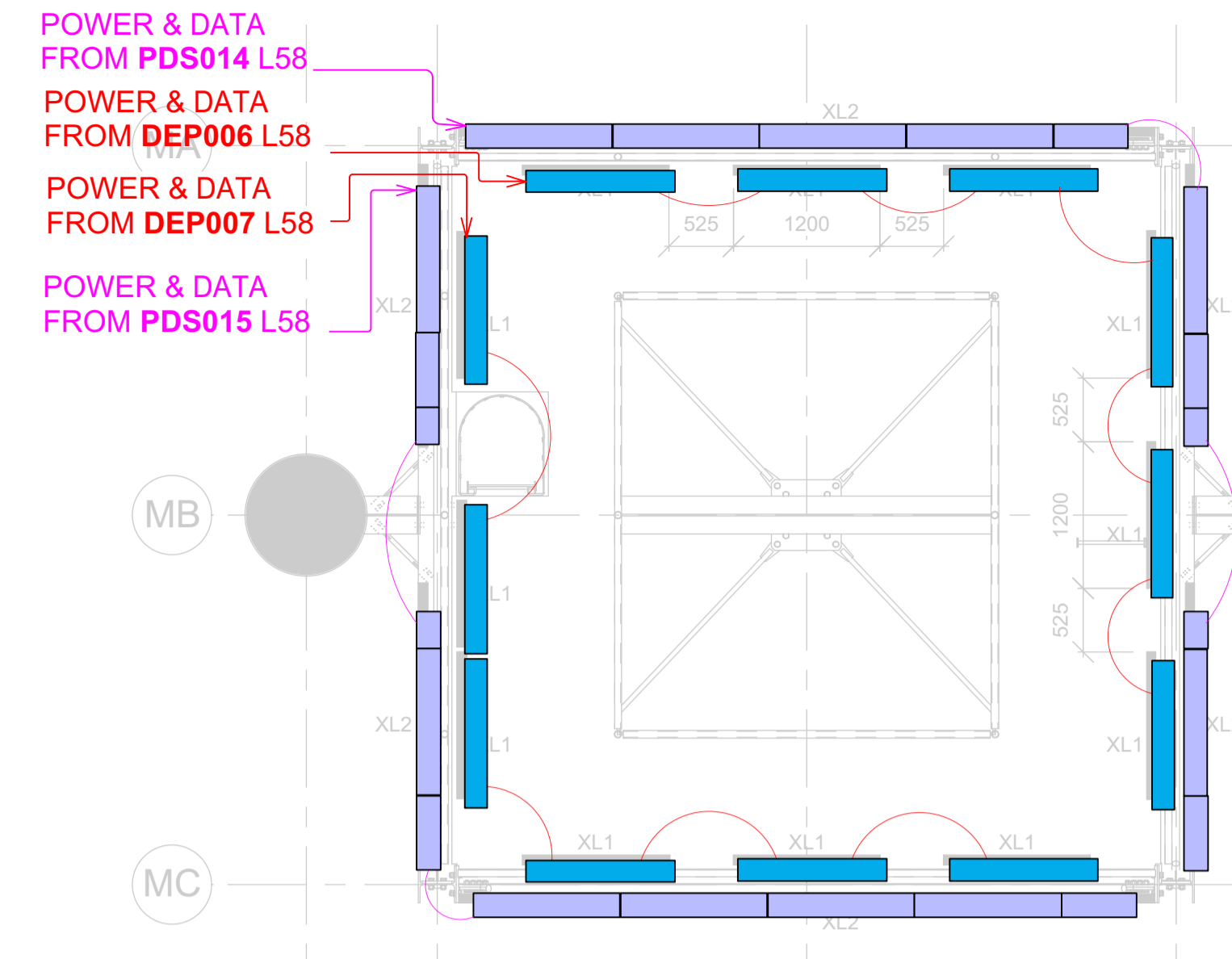
1. FIXTURES MUST BE INSTALLED IN CORRECT ORIENTATION TO CONNECT MALE / FEMALE PLUGS AND SOCKETS
2. DISTANCE FROM CONTROL TO FIRST FIXTURE MUST NOT EXCEED 30M



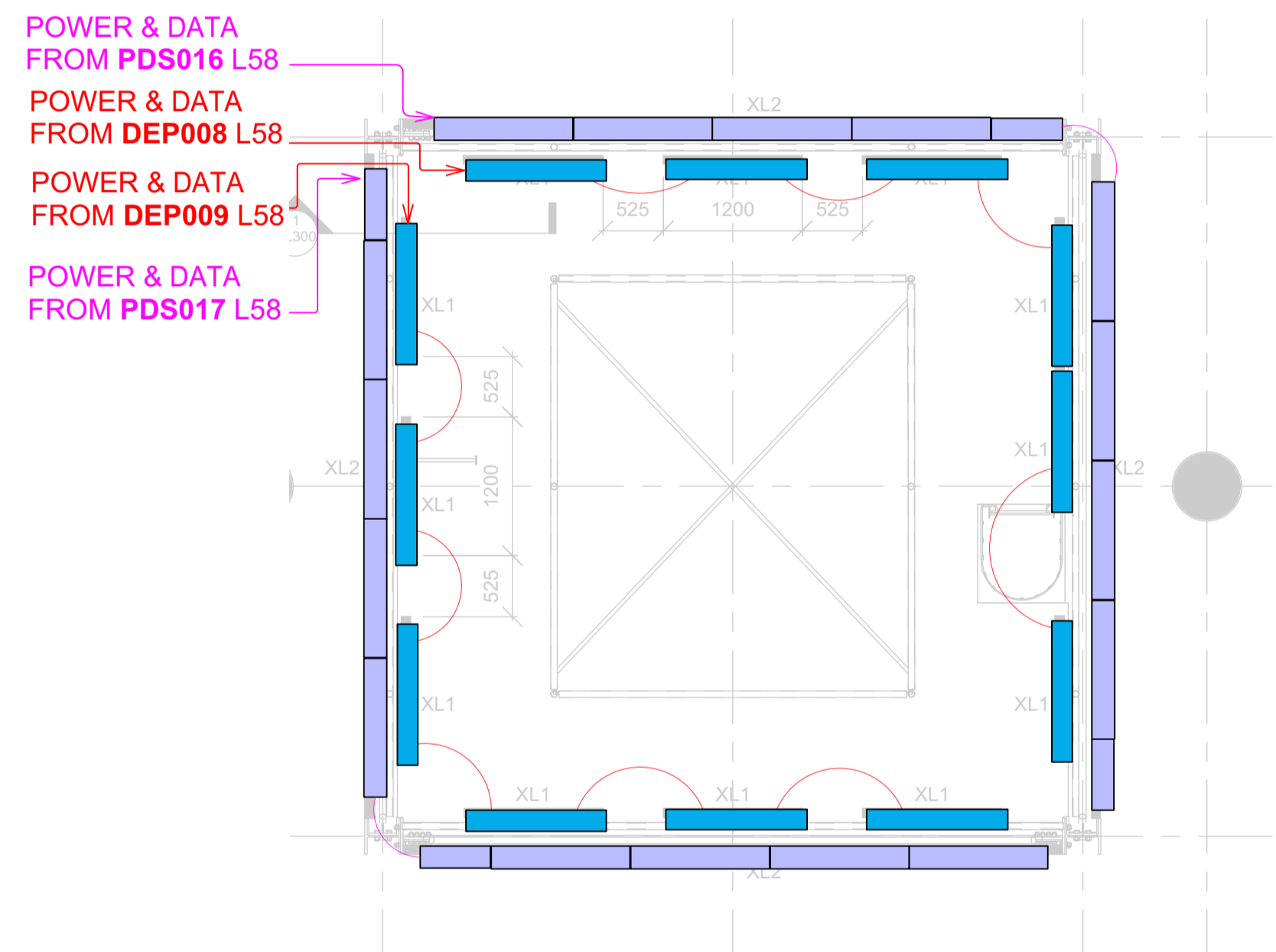
1 GANGWAY PLATFORM 1  
NOT TO SCALE



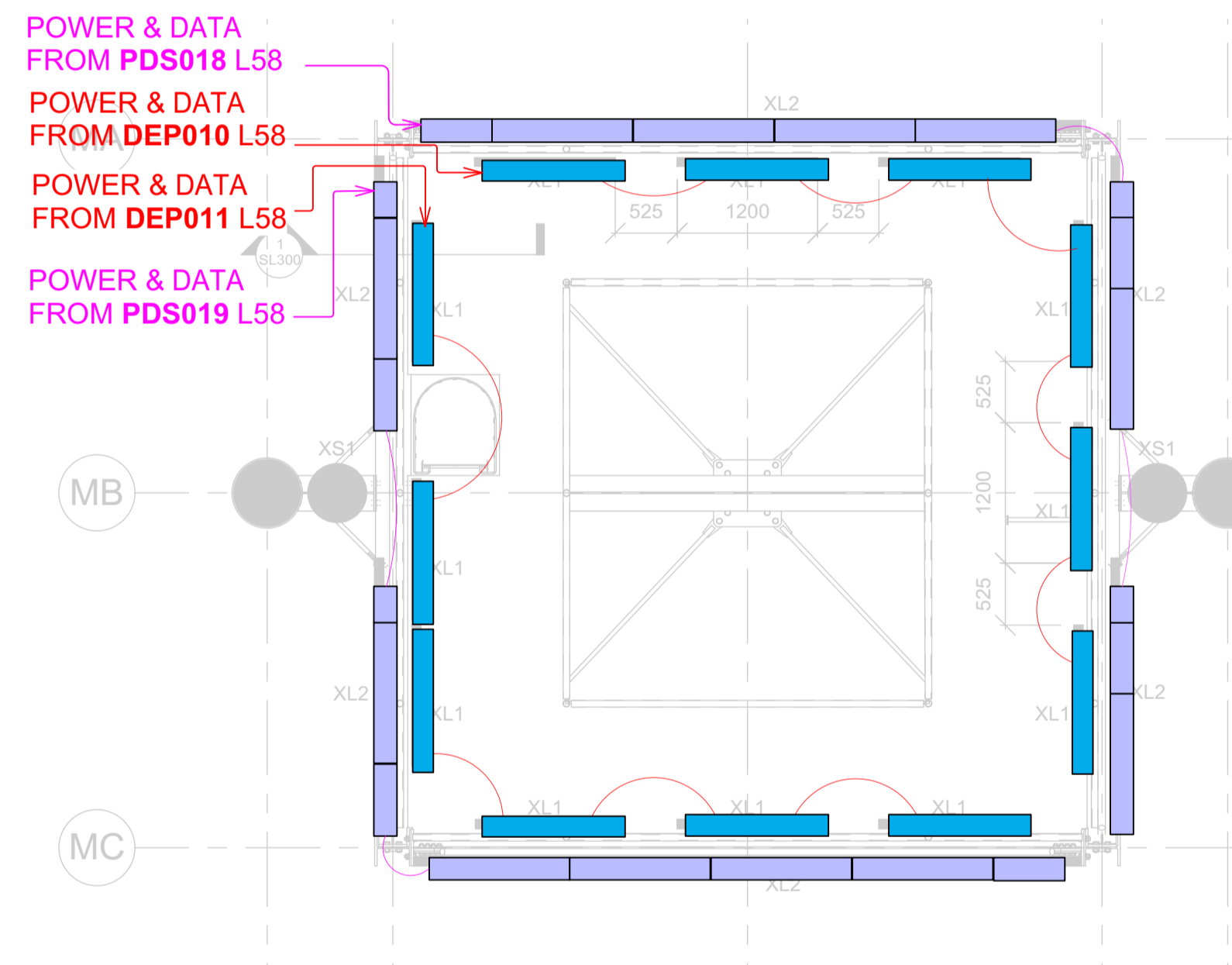
2 GANGWAY PLATFORM 2  
NOT TO SCALE



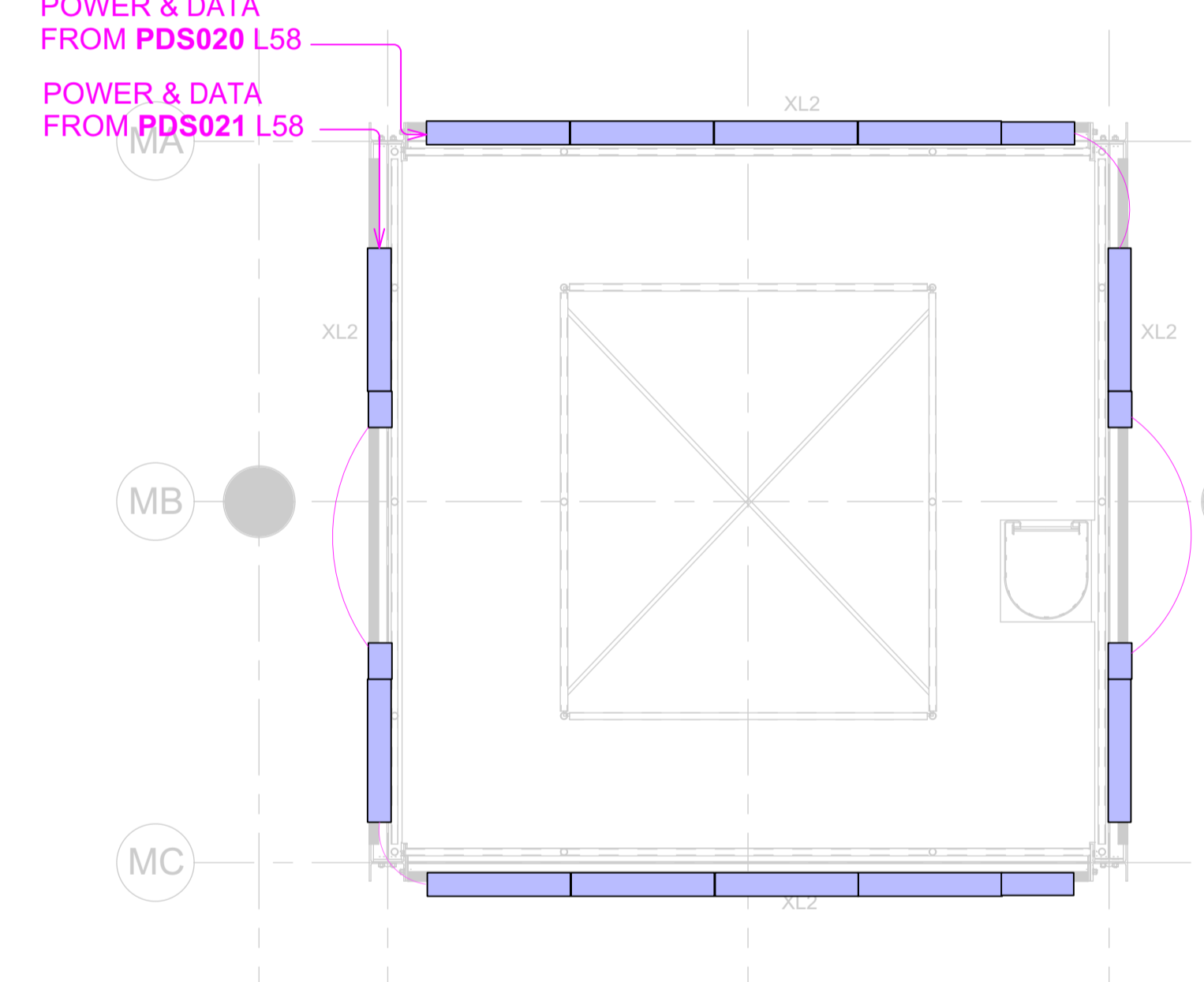
3 GANGWAY PLATFORM 3  
NOT TO SCALE



4 GANGWAY PLATFORM 4  
NOT TO SCALE



5 GANGWAY PLATFORM 5  
NOT TO SCALE



6 GANGWAY PLATFORM 6  
NOT TO SCALE

LEGEND

- XL1 - GRAZE 1220
- XL1 - GRAZE 610
- XL2 - ACCENT 1220
- XL2 - ACCENT 610
- XL2 - ACCENT 305
- XL3 - VAYA TUBE 1220
- XL3 - VAYA TUBE 305
- XS1 - REACH COMPACT
- PDS 400 48V EO
- VAYA CONTROLLER
- DATA ENABLER PRO
- 15M LEADER CABLE TBC
- 30M LEADER CABLE TBC (15M + 15M FOR XL3)
- 45M LEADER CABLE TBC

NOTES  
1. FOR GENERAL NOTES AND LEGEND REFER TO SHEET SL00-01  
2. DO NOT SCALE FROM THESE DRAWINGS

REVISIONS

REV	DATE	BY	AMENDMENTS
D	10/9/18	NV	AS BUILT
C	20/7/18	NV	FIXTURE NUMBERS AMENDED
B	9/5/18	NV	VAYA CONTROLLERS ADDED
A	12/4/18	NV	CONTROL RELOCATED TO BOTTOM CHORD

**BLUEBOTTLE 3 PTY LTD**  
43 STAWELL STREET NORTH MELBOURNE  
PHONE 61 3 9329 0709  
EMAIL INFO@BB3.NET.AU  
© PROFESSIONAL IN CONFIDENCE BLUEBOTTLE 3 PTY LTD

**ELECTRICAL DISCLAIMER**  
ELECTRICAL CONTRACTOR TO ENSURE COMPLIANCE WITH ALL RELEVANT ELECTRICAL & BUILDING REGULATIONS.

BLUEBOTTLE 3 PTY LTD ACCEPTS NO RESPONSIBILITY FOR ENGINEERING, INSTALLATION OR COMPLIANCE OF ELECTRICAL WORKS.

PROJECT  
NO 101 NAME 101 COLLINS TOWER

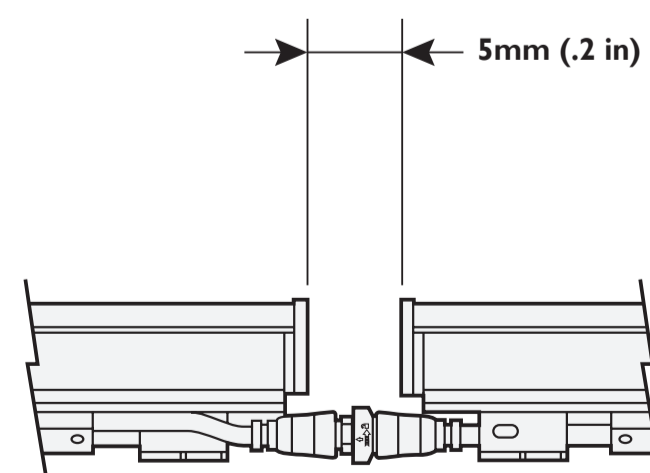
CLIENT  
BROLEC ELECTRICAL

TITLE

101 COLLINS TOWER - GANGWAY PLATFORMS

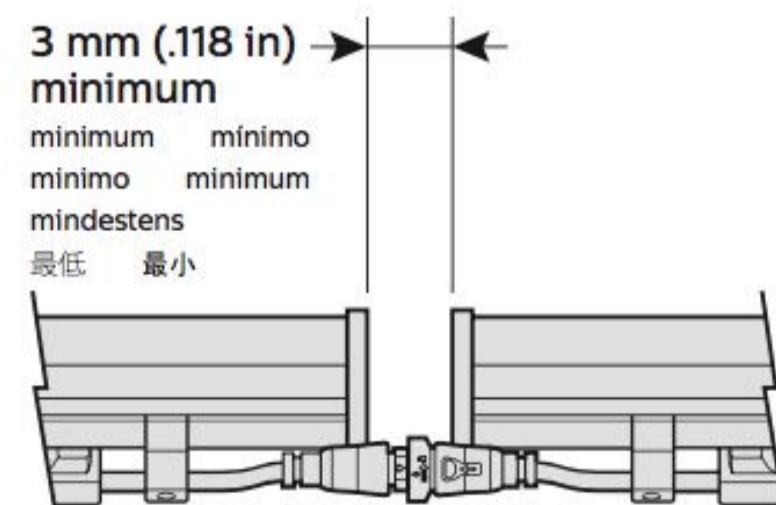
DRAWN BY NV CHECKED BY CC SCALE DATE  
DRAWING NUMBER - REVISION ISSUE NOT TO SCALE 10/9/18

SL01-07 D AS BUILT



7 DETAIL - XL2 MIN. FIXTURE DISTANCES  
NOT TO SCALE

1. FIXTURES MUST BE INSTALLED IN CORRECT ORIENTATION TO CONNECT MALE / FEMALE PLUGS AND SOCKETS
2. DISTANCE FROM CONTROL TO FIRST FIXTURE MUST NOT EXCEED 30M



8 DETAIL - XL3 MIN. FIXTURE DISTANCES  
NOT TO SCALE

1. FIXTURES MUST BE INSTALLED IN CORRECT ORIENTATION TO CONNECT MALE / FEMALE PLUGS AND SOCKETS
2. DISTANCE FROM CONTROL TO FIRST FIXTURE MUST NOT EXCEED 30M