

# 4 Conductor Jumper Cable

Date: \_\_\_\_\_  
 Type: \_\_\_\_\_  
 Firm Name: \_\_\_\_\_  
 Project: \_\_\_\_\_

For use with Graze MX/QLX/EC  
 luminaires, 6.1 m (20 ft), Black, CE

## JUMPER CABLE

For use with Graze MX/QLX/EC Powercore luminaires



## Specifications

Due to continuous improvements and innovations, specifications may change without notice.

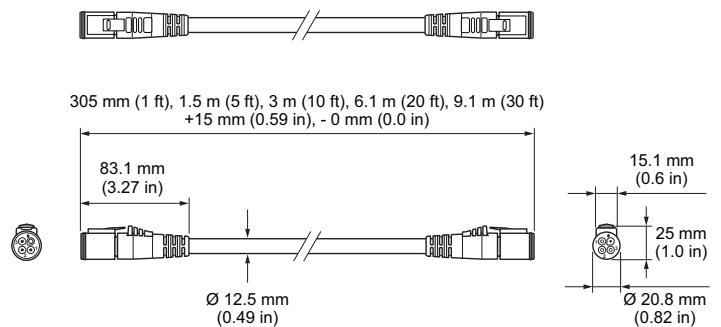
### Physical

Dimensions	6096 mm (240 in) Length
Weight	1.85 kg (4.08 lb)
Connections	Self-locking, male-female connectors
Cable	4 conductor, Annealed flexible stranded copper, EN 50525-2-21
Outer Cable Insulation	EM2 60° C, not halogen free
Inner Wire Insulation	EPR (Ethylene Propylene Rubber)
Wire Gauge	14 AWG
Voltage	100 to 277 VAC
Temperature Range	-40 to 50 °C (-40 to 122 °F) Operating

### Certification and Safety

Environment	Dry/Damp/Wet Location, IP66
Certification	CE, CCC

### Dimensions



### Part Numbers

Use Item Number when ordering in North America.

#### Jumper Cable

4 Conductor Jumper Cable  
 For use with Graze MX/QLX/EC luminaires, 6.1 m (20 ft), Black, CE  
 Allows end-to-end connection of units with 20 ft gap  
 ZCS459 C6096P-M-F BK CE

Item Number	Item 12NC
108-000057-13	912400130299

© 2021 Signify Holding. All rights reserved. Specifications are subject to change without notice. No representation or warranty as to the accuracy or completeness of the information included herein is given and any liability for any action in reliance thereon is disclaimed.

8/10/2021

