

# 4 Conductor Jumper Cable

Date: \_\_\_\_\_  
 Type: \_\_\_\_\_  
 Firm Name: \_\_\_\_\_  
 Project: \_\_\_\_\_

For use with Graze MX/QLX/EC  
 luminaires, 9.1 m (30 ft), Black, UL

## JUMPER CABLE

For use with Graze MX/QLX/EC Powercore luminaires



## Specifications

Due to continuous improvements and innovations, specifications may change without notice.

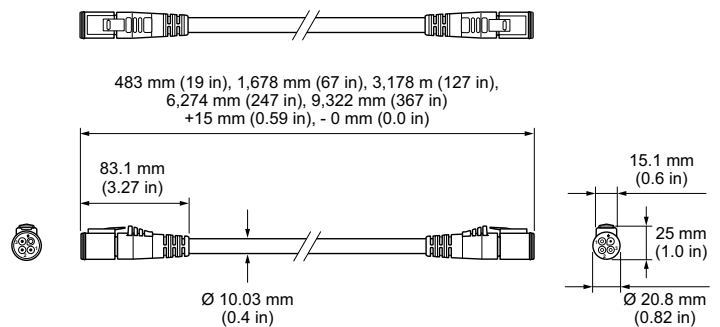
### Physical

Dimensions	9322 mm (367 in) (Length)
Weight	1.95 kg (4.3 lb)
Connections	Self-locking, male-female connectors
Cable	4 conductor, Annealed flexible stranded copper, EN 50525-2-21
Outer Cable Insulation	EM2 60° C, not halogen free
Inner Wire Insulation	EPR (Ethylene Propylene Rubber)
Wire Gauge	14 AWG
Voltage	100 to 277 VAC
Temperature Range	-40 to 50 °C (-40 to 122 °F) Operating

### Certification and Safety

Environment	Dry/Damp/Wet Location, IP66
Certification	UL

### Dimensions



### Part Numbers

Use Item Number when ordering in North America.

#### Jumper Cable

4 Conductor Jumper Cable  
 For use with Graze MX/QLX/EC luminaires, 9.1 m (30 ft), Black, UL  
 Allows end-to-end connection of units with 30 ft gap  
 ZCS459 C9144P-M-F BK UL

Item Number	Item 12NC
108-000057-15	912400130306

© 2023 Signify Holding. All rights reserved. Specifications are subject to change without notice.  
 No representation or warranty as to the accuracy or completeness of the information included  
 herein is given and any liability for any action in reliance thereon is disclaimed.

9/18/2023

